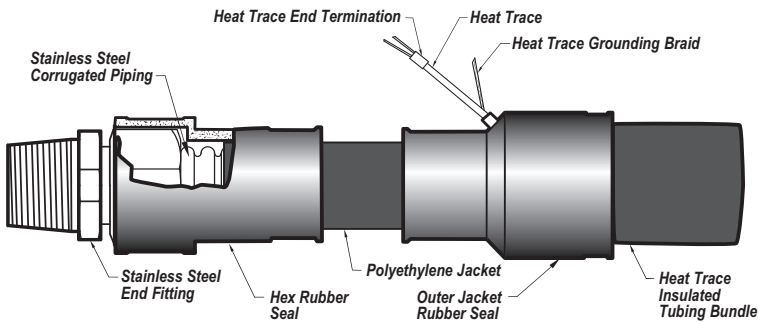


# DEF-Trac<sup>®</sup>

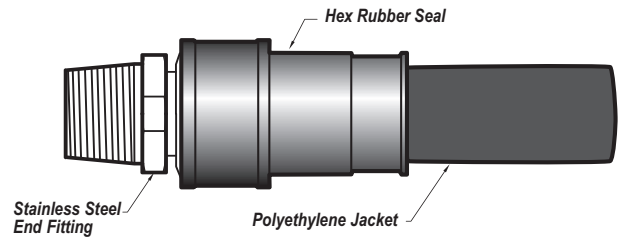
## Specification Sheet

with simplified Rubber Seals

### Insulated End Configuration



### Un-Insulated End Configuration

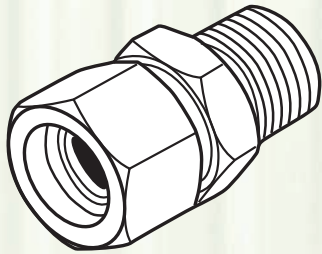


**CAUTION NOTE:** MANDATORY GFI EPD CIRCUIT BREAKER PER NEC ARTICLE 427-22, ALL HEAT TRACING CIRCUITS MUST HAVE GFI-EQUIPMENT PROTECTION ON THE CIRCUIT. IN THIS SYSTEM, THE HEATER CABLE MUST BE POWERED FROM AN EPD (30MA GFI TRIP) TYPE CIRCUIT BREAKER.

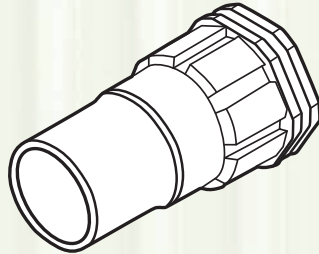
**NOTE:** MAXIMUM CIRCUIT LENGTH IS 200 ft.

### DEF-Trac<sup>®</sup> End Fittings

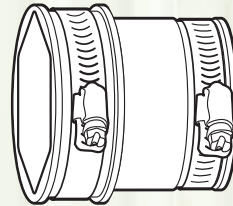
Description	Size	Part No.
SS Field Attachable - 1" NPT	1"	DF-FST-16
SS Field Attachable - 1-1/2" NPT	1 1/2"	DF-FST-24
SS Field Attachable - 2" NPT	2"	DF-FST-32



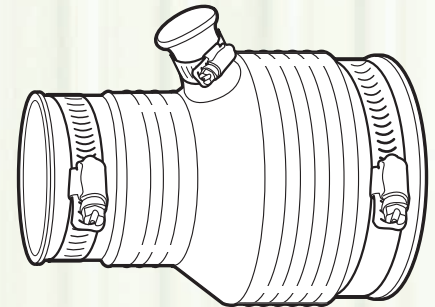
1" SS Fitting



Bulkhead Entry Fitting



NEW Hex Rubber Seal

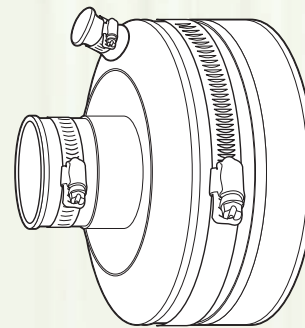


NEW Outer Jacket Rubber Seal

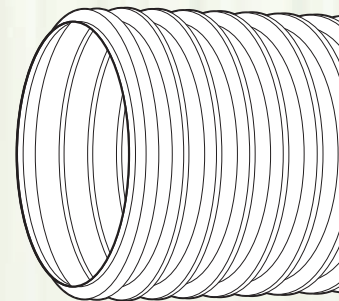
### DEF-Trac<sup>®</sup> Accessories

Description	Size	Part No.
1" & 1 1/2" Bundle Bulkhead Entry Fitting	1" & 1 1/2"	DF-FAK-9L
2" Bundle Bulkhead Entry Fitting	2"	DF-FAK-9LX
DEF-Trac Boot Pipe / Nut	All	DF-BTNP-xxKT*
DEF-Trac Boot Pipe / Bundle	All	DF-BTHP-xxKT*
DEF-Trac Boot Pipe / Ducting	All	DF-BTHD-xxKT*
4" Heavy Duty Corrugated Ducting	4"	UGF-CP-4
Tubing Cutter	All	UGF-TC-152
Spare Wheel for Tubing Cutter	All	UGF-E-5272
Leak Check Solution	All	UGF-LCS

\*xx replaced by 16, 24, 32



NEW 4" Rubber Seal



NEW 4" Ducting

See the DEF-Trac price sheet for a complete list of DEF-Trac accessories, including Thermon heat trace accessories.

For additional information, please contact your manufacturer's representative or visit our website:

[WWW.DOUBLETRAC.NET](http://WWW.DOUBLETRAC.NET)

OMEGA FLEX, INC.

451 Creamery Way, Exton PA 19341  
1-800-671-8622 Fax: 610-524-7282

